



# Pumps & Metering Technology

***Corrosion Injection Skids  
Methanol Injection Skids  
Zone 2 Engine Pump Skids  
Chemical Pumps***



[www.istpumpen.com](http://www.istpumpen.com)

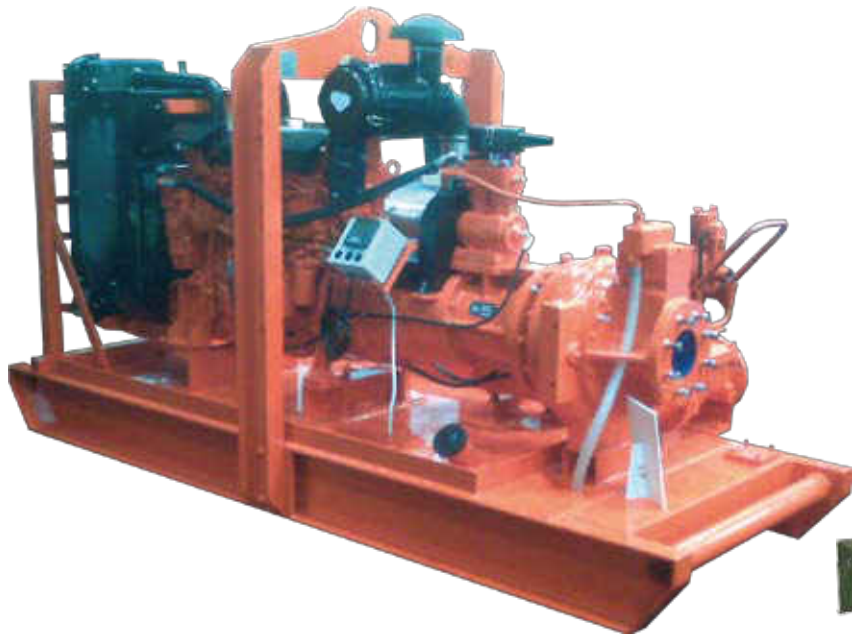
# Corrosion Injection Skids



# Methanol Injection Skids



# Zone 2 Engine Pump Skids



# Chemical Pumps and Injection Skids



MADE TO PUMP.

## Pumpen und Dosiertechnik GmbH

ENSELSKAMP 3-5 • D-51674 WIEHL • GERMANY • Telefon: +49 (0) 22 61/701 43 0  
Telefax: +49 (0) 22 61/701 43 11 • Web: [www.ISTPumpen.com](http://www.ISTPumpen.com) • e-Mail: [info@ISTPumpen.com](mailto:info@ISTPumpen.com)

[www.istpumpen.com](http://www.istpumpen.com)



# Pumps & Metering Technology



## ***Pulsa Pro™ 900*** *Process & Diaphragm Metering Pump*

[www.istpumpen.com](http://www.istpumpen.com)

# Meets and Exceeds API 675, CE and ATEX

## Introduction

An innovator for over seventy years, Pulsafeeder has been an established leader in the pump industry that other competitors strive to imitate. Through extensive voice of the customer research, our engineers developed the next technological evolution in the Petrochemical/Petroleum/Chemical Processing markets; the Pulsa Pro™ 900. Easy to operate, simple to maintain, the Pulsa Pro™ 900 is designed to produce higher flows at higher pressures.

The Pulsa Pro™ 900 is built to last. Its modular construction is durable, system-resilient, and user-friendly. The four motor mounting options offer installation flexibility. It's the first choice for quality.

The fluorocarbon lined reagent head option protects your investment. Impervious to multiple process fluids, it offers higher corrosion resistance than most standard heads available on the market

## Features & Benefits



### → Modular Design

- Simplex, Duplex, Triplex and Quadruplex
- Space saving multiplex arrangements
- Horizontal and/or vertical motor arrangements



### → Fluorocarbon Lined Reagent Head Available

- Highest corrosion resistance
- Cost effective
- Alternative for all high alloys metal construction



### → Four Bolt Tie Bar Design

- Resistant to pipe stress
- Provides rigidity to check valves
- Helps promote leak free operation
- Quick removal of check valves without removing any piping



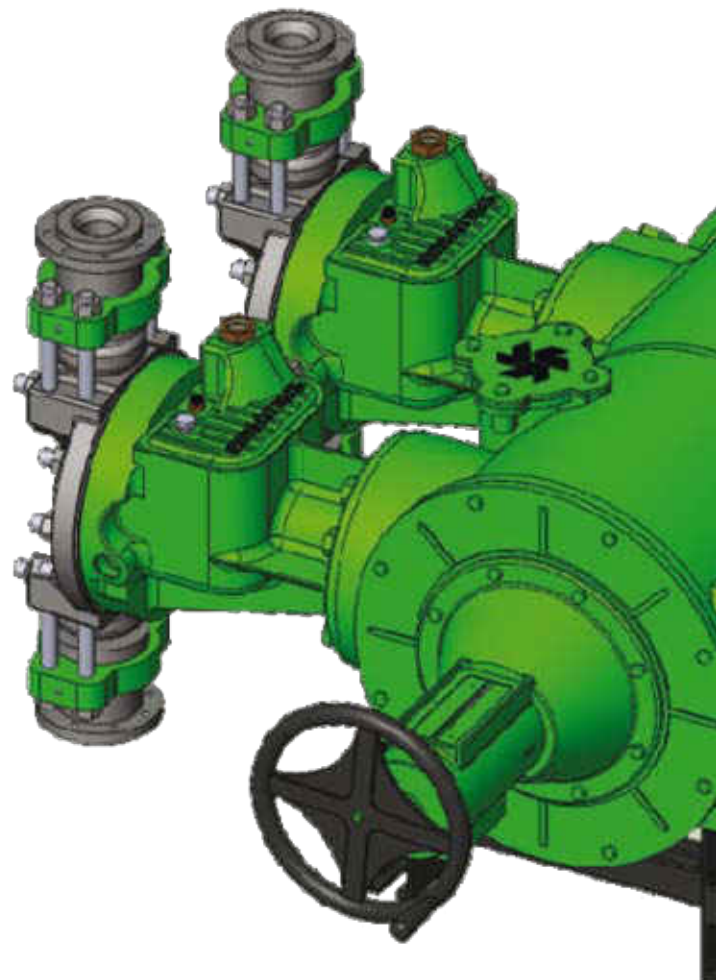
### → Unique Ball Valve Design

- Knife edge seats
- Accurate, efficient, flow transfer
- Simple three component design
- Flute guided



### → Disc Valve Assembly

- Leak-free design
- Low cost renewable components
- Designed for higher pressures
- All metal construction-PTFE o-ring seat



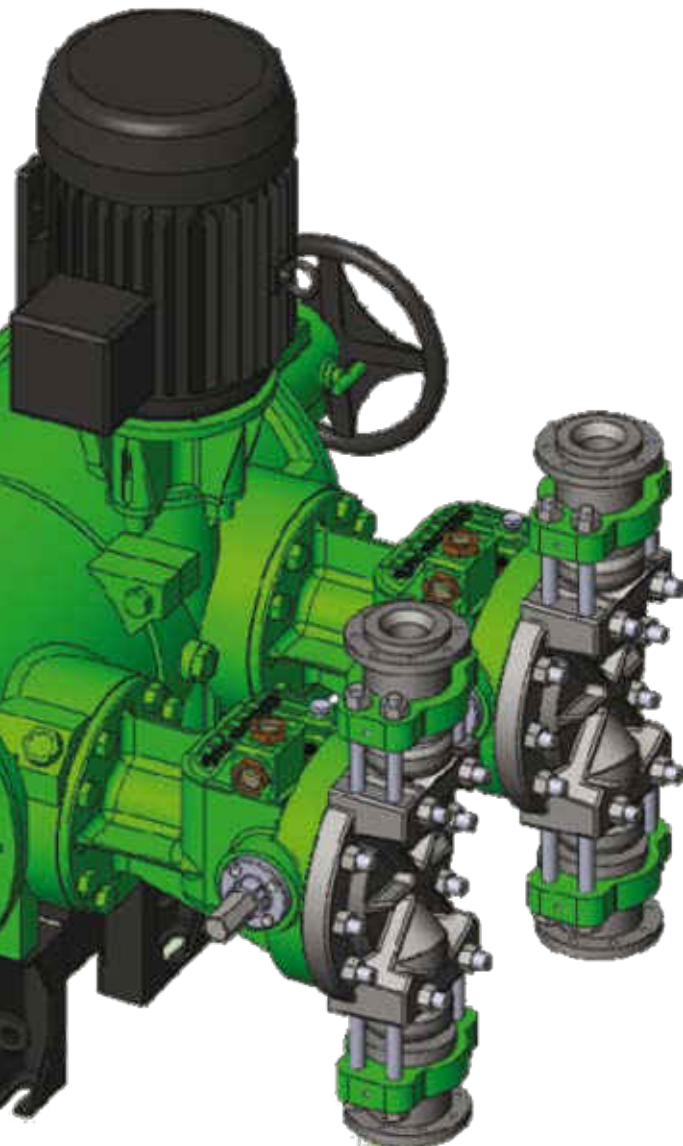
## Specification

### Product Scope

- Modular Configurations: Simplex, Duplex, Triplex and Quadriplex
- Flows up to 62,000 lph (16,380 gph)
- Innovative Front Pull-Out Design
- Meets and Exceeds: API 675, CE, ATEX
- Four Bolt Tie Bar Design
- Sandwich diaphragm pressure leak detection
- Manual stroke length control standard (optional VFD)
- Accuracy up to +/- 0.5%
- Process Temperature from -73°C (-100°F) to 370°C (700°F)
- Viscosity standard at 3,000 cps, higher options available
- Metric Fasteners
- No Welds on Wet End Parts
- Universal Design: Connections available in NPT/ISO and ANSI/ISO Flanges
- Oil level sight gauge ensures proper oil level

### Materials of Construction

- Reagent head: 316L, Alloy 20, Hastelloy C Fluorocarbon-lined and others
- Check Valves: 316L, Alloy 20, Hastelloy C and others
- Diaphragm: PTFE, metal
- Gearbox: Cast Iron



#### → Hydraulic Diagnostic Package

- Visual indication of pump performance
- Visual verification of system upset
- Suction and discharge



#### → Hydraulic Bypass Valve

- Provides protection against pump overpressurization
- Externally adjustable
- Continuous visual inspection



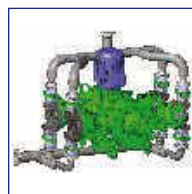
#### → Hydraulic Performance Valve

- Externally serviceable cartridge valve design
- Protects against suction restrictions
- Allows for greater viscosities and solid contents



#### → Manual Stroke Length Control

- Simple, rugged design
- Dual scale capability-percent and flow units
- Common stroke adjustment for duplex assemblies
- Individual stroke control available with dual boxes



#### → Manifolds available as an accessory

- 2, 3, or 4 pump manifolds
- System ready configuration with pulsation dampeners and PRVs

# Markets and Applications

**Oil & Gas**  
**Biocides**

**Corrosion Inhibitor**  
**Demulsifiers**  
**Enhanced Oil Recovery**  
**Flare Knockout**  
**Glycol**  
**Methanol**  
**Oxygen Scavenging**  
**Sour Water**

**Chemical  
and  
Petrochemical**

**Ammonia**  
**Chlorine Dioxide**  
**Ethylene Glycol**  
**Ethylene Oxide**  
**Methanol**  
**Propylene**

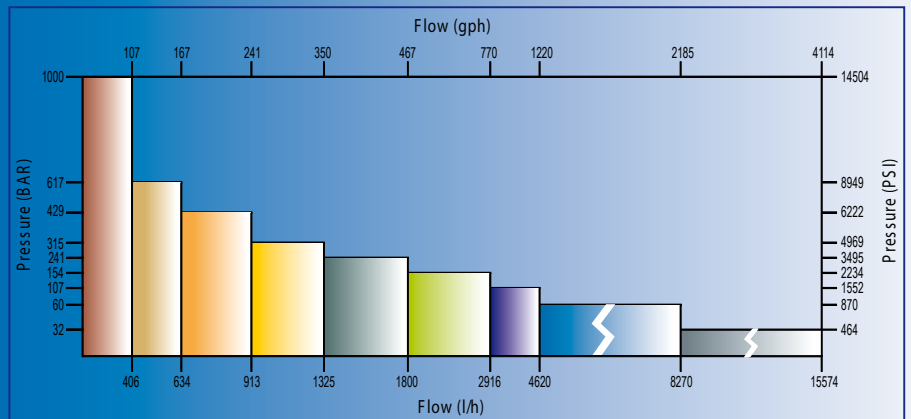
# Pulsa Pro™ 900

Process & Diaphragm Metering Pump

## Serviceability

- Patented hydraulic diagnostic package helps to monitor and helps ensure correct pump performance
- Patented Push to Prime allows for easy priming of the pump head
- Patent Pending front pull-out design, for efficient and simplified maintenance
- Check valves are removable without disassembly of piping
- External valves and controls
- KOPkits\* - "Keep On Pumping" Kit provide cost effective maintenance and minimal downtime
- Five Year Drive Train Warranty\*\*

## Flow and Pressure Capability



## Pumps & Metering Technology

AN DER HÖHE 20 · D-51674 WIEHL · GERMANY  
Phone: ++49 (0) 22 61/79 07 01 · Fax: ++49 (0) 22 61/79 07 04  
Internet: [www.ISTPumpen.com](http://www.ISTPumpen.com) · e-Mail: [info@ISTPumpen.com](mailto:info@ISTPumpen.com)

\*\* Please see IOM for details.

[www.istpumpen.com](http://www.istpumpen.com)